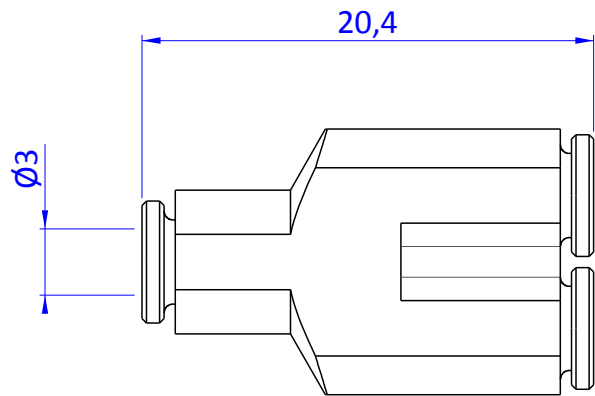
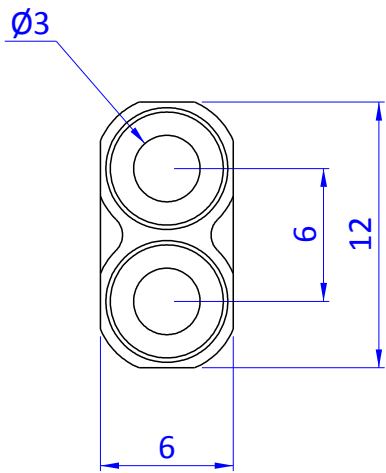
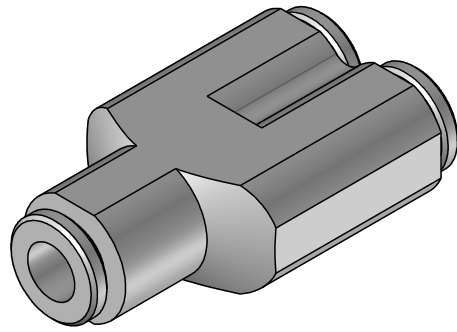



THE PROPERTY OF THE DRAWING IS ESTABLISHED BY LAW. IT IS FORBIDDEN TO PRODUCE OR SHOW IT TO THIRD PART. WITHOUT A WRITTEN AGREEMENT.



Format A4 UNI 936-76			DESIGNED FROM <b>FPS Automation</b>		REVIEW <b>A</b>
			DATE 13/10/2016	WEIGHT 0,005kg	
	GENERAL TOLERANCE UNI - ISO 2768 CLASSE f	DESCRIPTION CA.12.05.034			CODE CA.12.05.034